

ToooAir

USER'S MANUAL

WIDE AREA IP 2WAY RADIO
MODEL: TA-430



CONTENTS

TA-430 DIAGRAM	ii	Torch	5
LED INDICATION	ii	ADVANCED OPERATIONS	6
SPECIFICATIONS	iii	Change Group	6
BASIC OPERATIONS	4	Missed Call	6
Power On	4	Private Call	6
Power Off	4	SOS Duress	6
Transmitting	4	Radio Recordings	6
Receiving	4	Settings	6
In The Box	4	IMPORTANT NOTICE	7
Device Setup	4	WARRANTY	7
Battery Cover	4	1. Consumer guarantees	7
SIM Cards	4	2. Warranty against defects	7
Battery	5	3. This warranty does not cover	7
Belt Clip	5	4. Warranty period	7

READ ALL INSTRUCTIONS carefully and completely before operating your radio and retain this manual for future reference.

NEVER connect the radio to a power source other than the supplied battery and charge via supplied charger.

DO NOT place your radio in front of a vehicle airbag.

DO NOT attempt to modify your radio in any way.

DO NOT allow children to operate the radio unsupervised.

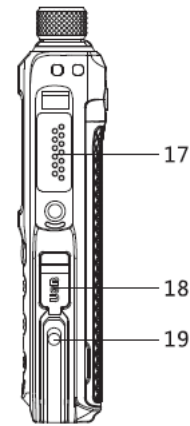
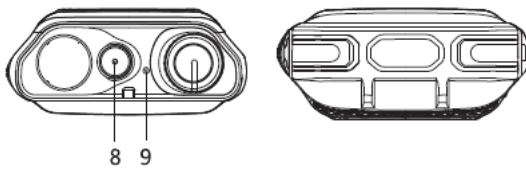
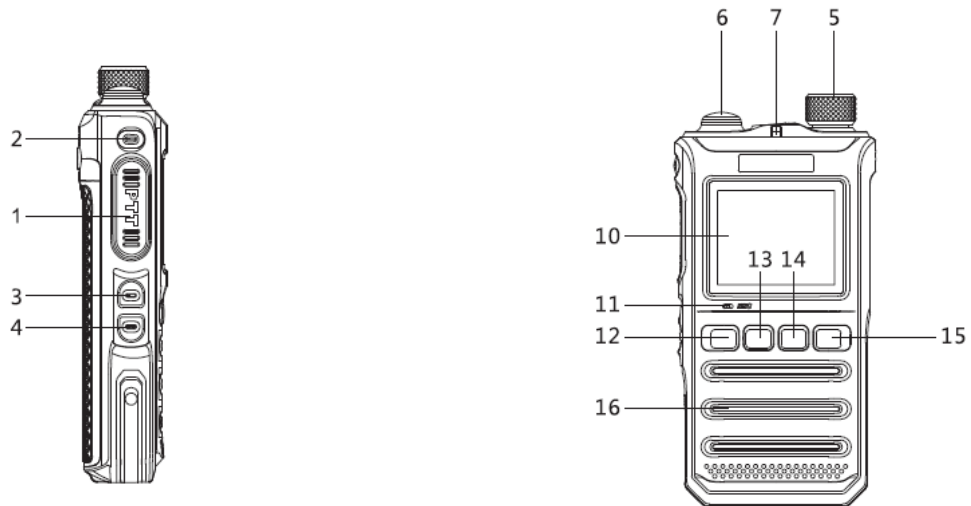
ALWAYS charge your radio at normal room temperature.

ALWAYS switch off your radio where notices restrict the use of two-way radio or mobile telephones.

ALWAYS keep the antenna more than 25 mm from any part of the head or body when transmitting.

NOTE People with pacemakers are recommended to maintain at least 20cm separation between the radio and their pacemaker.

TA-430 DIAGRAM



- | | |
|---|---|
| <ol style="list-style-type: none"> 1. PTT 2. USER PROMPT / TORCH 3. FRIENDS LIST / CYCLE PLAYBACK 4. USER LIST / CYCLE PLAYBACK 5. POWER / VOLUME KNOB 6. TORCH 7. LED INDICATOR 8. SOS 9. MICROPHONE 10. LCD | <ol style="list-style-type: none"> 11. MAIN MICROPHONE 12. OK / SELECT BUTTON 13. SELECT UP BUTTON 14. SELECT DOWN BUTTON 15. RETURN / EXIT BUTTON 16. SPEAKER 17. M6 PORT 18. MICRO USB PORT 19. DESKTOP CHARGER PORT |
|---|---|

LED INDICATION

OPERATING STATE	INDICATION
Powering On	Green (Steady)
Connecting to Network	Green (Rapid Blinking)
Idle	Green (Slow Blinking)
Receiving	Green (Steady)
Transmitting	Red (Steady)
Low Power	Red (Rapid Blinking)
Powering Off	Red (Steady)

SPECIFICATIONS

Model Number:	TA-430
Dimensions:	127mm x 63mm x 27mm
Weight:	200g
Working temp:	-30°C to +75°C
Ingress Protection:	IP54
Audio Output:	8Ω, 2W
Battery:	4000mAh
Talk Time:	17 hours
Standby Time:	22 hours
LTE FDD:	Band 1/3/7/20/28A/28B
WCDMA:	Band 1/2/5/8
WiFi:	IEEE 802.11 a/b/g/n (2.4 & 5Ghz)
Bluetooth:	BT 4.0
GPS:	GPS Positioning, 1.57542GHz & AGPS
Sensitivity:	Catch -144dBm, Track -159dBm;
USB:	Micro USB 2.0
Card Slot:	Dual Micro SIM Card
OS:	Android 8.1
CPU:	MTK6739
Memory:	RAM 512MB SSD 4GB
Speaker Microphone Interface:	M6
Flashlight:	Support

BASIC OPERATIONS

Power On

Press and hold the on/off volume switch for 3 seconds to power on, the LED will illuminate solid green as the TA-430 powers up. While the unit attempts to connect to the network the LED will blink green (this can take 60 seconds).

Note, short pressing the on/off volume switch while the radio is powered on will turn on/off radio display.

Power Off

Press and hold the on/off volume switch for 7 seconds to power off, the LED will illuminate red the radio is now powered off.

Transmitting

Press the PTT and the LED will illuminate red indicating the radio is in transmit mode.

Receiving

When receiving a transmission, the LED will illuminate green indicating the radio is receiving a transmission.

In The Box

Please carefully unpack the radio and check if all items listed below are received. If any items are missing or damaged, please contact your dealer.

Item	Quantity
Handheld Radio	1
Lithium Battery	1
Power Adapter	1
USB Cable	1
Sling	1
Belt Clip	1
User's Manual	1

Device Setup

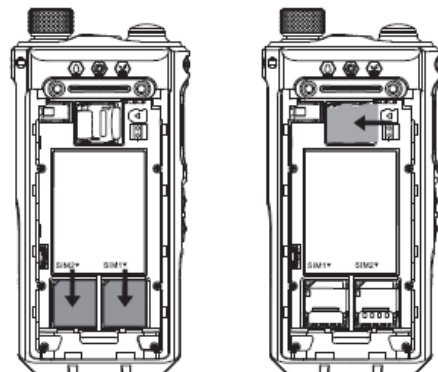
Battery Cover

The rear battery cover can be removed by pulling up on B and sliding A out, likewise installing the battery cover by sliding A into the device and pushing B onto the device.



SIM Cards

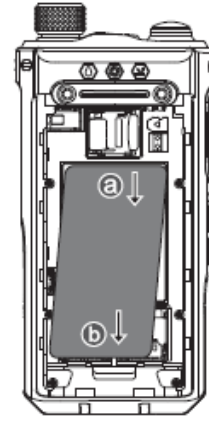
Insert the SIM card into the SIM card slots or SD card into the SD slot as per the picture.



Battery

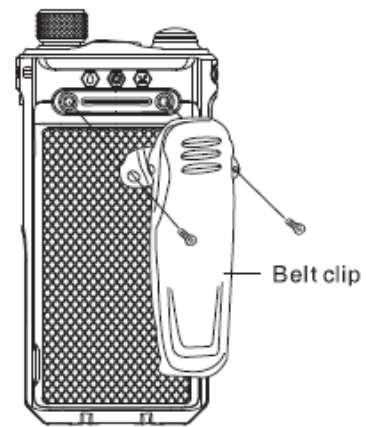
Insert the battery so the metal connectors are connecting, press down on the other end to firmly click in the battery.

Install battery cover after battery installation to ensure battery does not dislodge.



Belt Clip

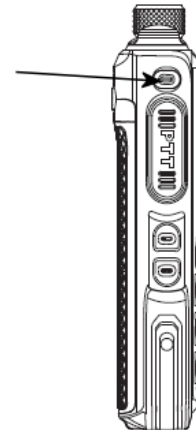
With the battery cover installed, install the belt clip as per the picture. Tighten the screws to ensure the belt clip does not dislodge.



Torch

The TA-430 torch can be turned on and off via the torch button. Press and hold the torch button until the torch turns on.

Press and hold the torch button to turn off the torch.



ADVANCED OPERATIONS

Change Group

The unit can change between groups to communicate with different users. From the Group List short press the up or down arrows to cycle through the group list. Short press the OK button to enter into the desired group. A voice prompt will call out the group name the radio is changing into.

To exit the group or change groups short press the ↵ return button to display the Group List to change into a different group.

Missed Call

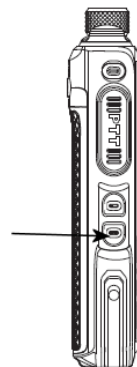
In the event a private call is made to the TA-430 and the private call is not acknowledged with a PTT transmission for 20 seconds, a Missed Call Alert audible noise will prompt for the next 30 minutes.

While the Missed Call alert is active short pressing the ↵ return button will acknowledge the Missed Call and stop the alert.

Private Call

The TA-430 can create private calls.

1. Long press the User List button to select desired user to perform private call.
2. The list of available users in the group will display. Each short press of the up/down arrows will cycle through the user list
3. Once desired user is selected, press OK button. The radio will prompt with text-to speech for the user selected. Note, multiple users can be selected.
4. Short press the PTT key to begin a Private Call with the selected user.
5. Short press the ↵ exit button to exit the private call.



SOS Duress

In the event of an emergency the radio can send an SOS duress to all other users in the fleet.

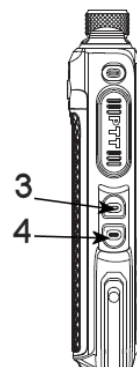
1. Press and hold the SOS button for 3 seconds to trigger the SOS duress.
2. Once the SOS duress has been triggered the microphone will open for hands free PTT transmission for 20 seconds.
3. When receiving an SOS duress short pressing the ↵ return button will acknowledge the SOS duress and stop the alert.



Radio Recordings

The radio recordings can be played via the playback cycle buttons short press the playback buttons to cycle through the audio recordings list.

Note, button 3 playback is previous recording and button 4 is next playback recording.



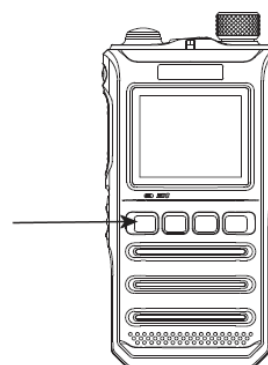
Settings

The radio settings can be accessed to adjust radio settings and preferences.

To access the menu

1. From the Group List or ToooAir app home display long press the OK button
2. Short press the down button twice
3. Short press OK button to Open Settings
4. Short press the ↵ return button to exit Settings

Note, for an in-depth explanation of the ToooAir app settings please refer to the ToooAir app guide on the ToooAir website.



IMPORTANT NOTICE

READ ALL INSTRUCTIONS carefully and completely before operating your radio and retain this manual for future reference.

- NEVER connect the radio to a power source other than via supplied power adapter.
- DO NOT place your radio in front of a vehicle airbag.
- DO NOT attempt to modify your radio in any way.
- ALWAYS switch off your radio where notices are displayed that restrict the use of two-way radio or mobile telephones.
- DO NOT hold radio / speaker to ear.

WARRANTY

This warranty against defects is given by Too Air Pty Ltd ABN 58 615 252 536

1. Consumer guarantees

1.1 Our goods come with guarantees that cannot be excluded under the Australian Consumer Law. You are entitled to a replacement or refund for a major failure and for compensation for any other reasonably foreseeable loss or damage. You are also entitled to have the goods repaired or replaced if the goods fail to be of acceptable quality and the failure does not amount to a major failure.

1.2 To the extent we are able, we exclude all other conditions, warranties and obligations which would otherwise be implied.

2. Warranty against defects

2.1 This warranty is in addition to and does not limit, exclude or restrict your rights under the Competition and Consumer Act 2010 (Australia) or any other mandatory protection laws that may apply.

2.2 We warrant our goods to be free from defects in materials and workmanship for the warranty period of 12 months from the date of original sale. Subject to our obligations under clause 1.2, we will at our option, either repair or replace goods which we are satisfied are defective. We warrant any replacement parts for the remainder of the period of warranty for the goods into which they are incorporated.

2.3 To the extent permitted by law, our sole liability for breach of a condition, warranty or other obligation implied by law is limited

- (a) in the case of goods we supply, to any one of the following as we decide –
 - (i) the replacement of the goods or the supply of equivalent goods;
 - (ii) the repair of the goods;
 - (iii) the cost of repairing the goods or of acquiring equivalent goods;
- (b) in the case of services we supply, to any one of the following as we decide –
 - (i) the supplying of the services again;
 - (ii) the cost of having the services supplied again.

2.4 For repairs outside the warranty period, we warrant our repairs to be free from defects in materials and workmanship for three months from the date of the original repair. We agree to re-repair or replace (at our option) any materials or workmanship which we are satisfied are defective.

2.5 We warrant that we will perform services with reasonable care and skill and agree to investigate any complaint regarding our services made in good faith. If we are satisfied that the complaint is justified, and as our sole liability to you under this warranty (to the extent permitted at law), we agree to supply those services again at no extra charge to you.

2.6 To make a warranty claim you must before the end of the applicable warranty period, return the goods you allege are defective, provide written details of the defect, and give us an original or copy of the sales invoice or some other evidence showing details of the transaction.

2.7 Send your claim to:

Too Air Pty Ltd, Suite 1102, 1 Newland Street, Bondi Junction NSW 2022.

Tel: (02) 9157 0540

Email: info@toooair.com.au

3. This warranty does not cover

This warranty will not apply in relation to:

- (a) goods modified or altered in any way;
- (b) repairs performed other than by our authorised representative;
- (c) defects or damage resulting from misuse, accident, impact or neglect;
- (d) goods improperly installed or used in a manner contrary to the relevant instruction manual; or
- (e) goods where the serial number has been removed or made illegal
- (f) goods connected to an incorrect power source

4. Warranty period

The warranty on the TooAir TA-430 Wide Area IP 2 Way Radio and Power Adapter is 12 Months. No repair or replacement during the warranty period will renew or extend the warranty period past the period from the original date of purchase.

ToooAir

ToooAir Pty. Ltd.
Address: Suite 1102, 1 Newland Street Bondi Junction, NSW 2022
Phone: +61 (02) 9157 0540
Website: www.toooair.com.au
Email: info@toooair.com.au

