

ToooAir

USER'S MANUAL

WIDE AREA IP 2WAY RADIO
MODEL: TA-1500



CONTENTS

TA-1500 DIAGRAM.....	2	Receiving.....	5
Front.....	2	Front Keys	5
Rear	2	ADVANCED OPERATIONS.....	5
Underneath.....	3	SOS Duress	5
RADIO DISPLAY.....	3	Missed Call	5
Status LED	3	The TooAir App	5
Taskbar Icon Display.....	3	IMPORTANT NOTICE	6
SPECIFICATIONS	4	WARRANTY	6
In The Box.....	4	1. Consumer guarantees.....	6
BASIC OPERATIONS	5	2. Warranty against defects.....	6
Power On	5	3. This warranty does not cover	6
Power Off	5	4. Warranty period	6
Transmitting.....	5		

READ ALL INSTRUCTIONS carefully and completely before operating your radio and retain this manual for future reference.

NEVER connect the radio to a power source other than the supplied cable and 12–24-volt DC.

DO NOT place your radio in front of a vehicle airbag.

DO NOT attempt to modify your radio in any way.

DO NOT allow children to operate the radio unsupervised.

ALWAYS charge your radio at normal room temperature.

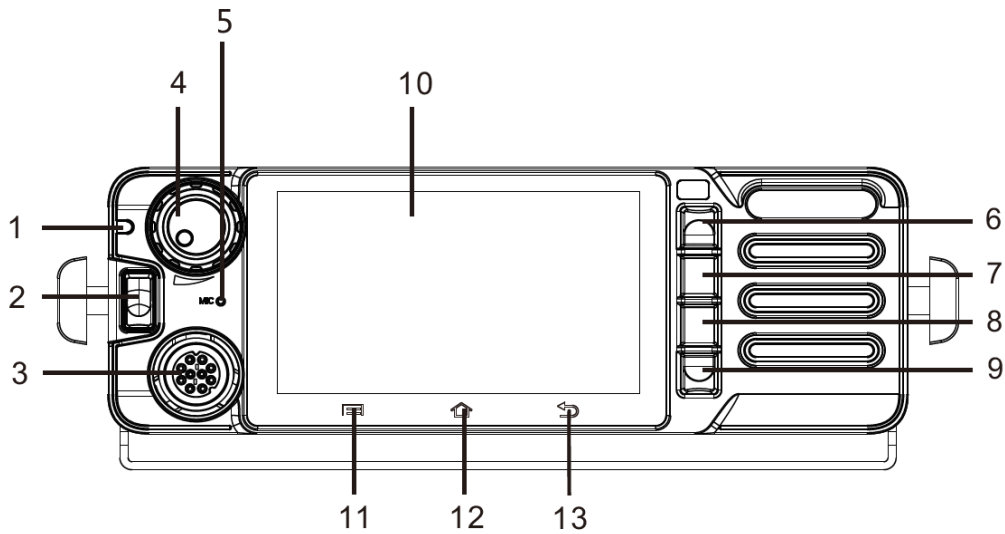
ALWAYS mount the radio on the supplied bracket and more than 20cm from the user.

ALWAYS switch off your radio where notices restrict the use of two-way radio or mobile telephones.

ALWAYS keep the antenna more than 25 mm from any part of the head or body when transmitting.

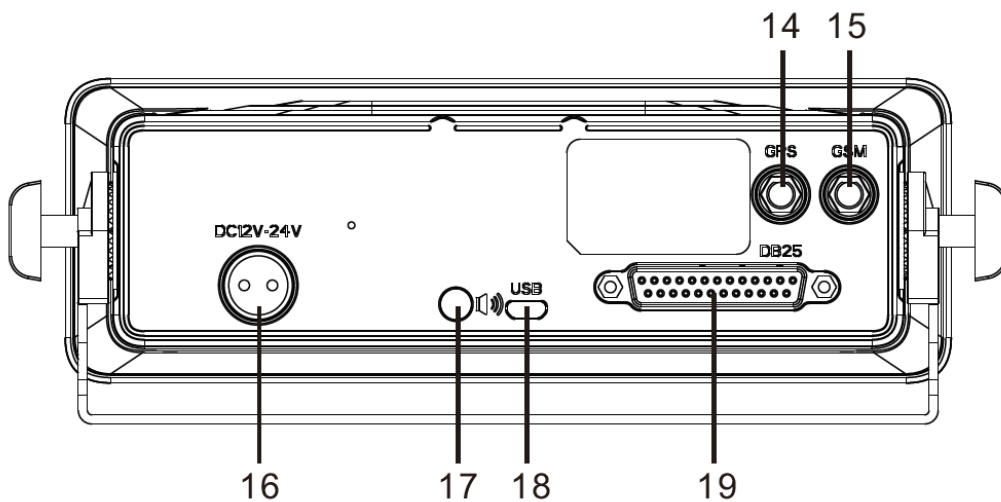
NOTE People with pacemakers are recommended to maintain at least 20cm separation between the radio and their pacemaker.

TA-1500 DIAGRAM



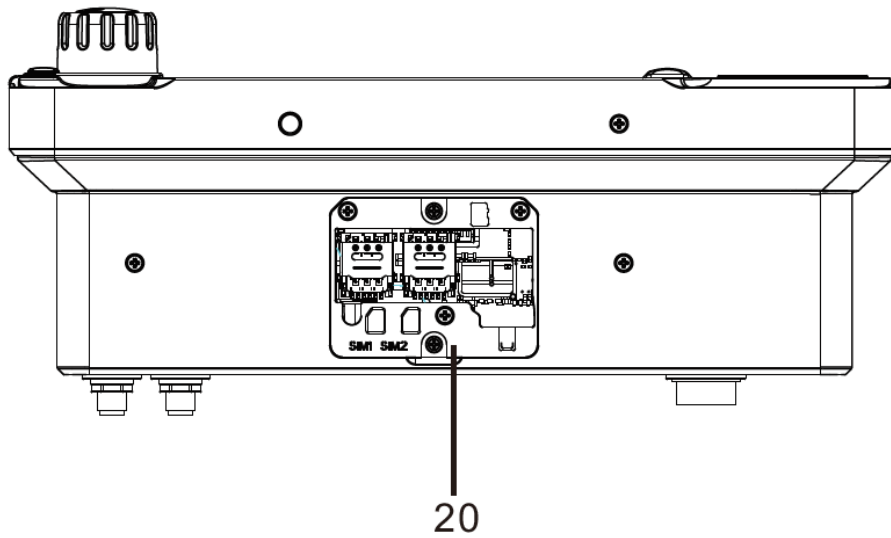
Front

1. LED Indicator light
2. SOS Button, long press for 3 seconds to send Duress Alarm
3. Aviation Interface Support speaker microphone, PTT device
4. Power / Volume Knob Rotate clockwise to boot the radio and increase the volume, anticlockwise to decrease the volume and turn off the radio
5. Front Microphone
6. OK Button
7. P1 Return Key or Exit
8. P2 Up Key
9. P3 Down Key
10. LCD Screen 4.0 Inches OLED 360*640*RGB
11. Menu Key
12. Home Key
13. Return Key or Exit



Rear

14. GPS Antenna
15. GSM Antenna
16. Aviation Power Interface DC 12-24V
17. 3.5mm Audio Out
18. USB Micro Port
19. DB25 Interface



Underneath

20. SIM Card & TF Card Slots

RADIO DISPLAY

Status LED

OPERATING STATE	INDICATION
Powering On	Green (Rapid blinking)
Idle	Green (Slow blinking)
Receiving	Green (Steady)
Transmitting	Red (Steady)
Powering Off	Red (Steady)

Taskbar Icon Display

Icon	Name	Status
	Signal	More bars indicate stronger signal strength
	Cellular Data Enabled	Cellular data enabled and in use
	GPS	GPS Positioning is currently in use
	Bluetooth	Bluetooth is enabled, but not connected
	Bluetooth Connected	Bluetooth is connected
	WiFi	WiFi is enabled, but not connected
	WiFi	WiFi is connected
	TooAir	TooAir app is running
	Airplane Mode	Airplane Mode is Enabled
	No SIM Card	No SIM Card detected, check SIM card

SPECIFICATIONS

Model Number:	TA-1500
Dimensions:	65mm x 195mm x 67mm
Weight:	500g
Ingress Protection:	IP54
Working Voltage:	12V ~ 24V
Audio Output:	5W
LTE FDD:	Band 1/3/5/7/8/20/28A/28B
WCDMA:	Band 1/5/8
WiFi:	IEEE 802.11 b/g/n (2.4/5Ghz)
Bluetooth:	BT 4.0 + BR/EDR + BLE/BT 5.0
GPS:	GPS Positioning, 1.57542GHz; & AGPS
Sensitivity:	Catch -144dBm, Track -159dBm;
OS:	Android 7.1.1
CPU:	MT6739
RAM:	1GB + 8GB
USB:	Micro USB 2.0
Card Slot:	Dual SIM Card + TF Card
External Speaker:	Supported
Screen:	G+F Touch Screen
Screen Size:	4" OLED, 360*640RGB
Speaker Microphone Interface:	10pin Aviation port

In The Box

Please carefully unpack the radio and check if all items listed below are received. If any items are missing or damaged, please contact your dealer.

Item	Quantity
Mobile Radio	1
Hand Microphone	1
LTE Antenna	1
GPS Antenna	1
Power Cord (with fuse)	1
Mounting Bracket	1
Screwdriver	1
Microphone Holder	1
User's Manual	1

BASIC OPERATIONS

Power On

Rotate the switch knob clockwise, the status LED will begin to flash green. The radio will power on and connect to the network this can take up to 120 seconds.

Power Off

Rotate the switch knob anti clockwise till the switch point to power off the radio. The LED will illuminate red and the LCD will display 'Network Radio' during the shutting down process. (this can take up to 10 seconds)

Transmitting

While pressing the PTT, the status LED will illuminate red indicating the radio is in transmit mode. A prompt will display indicating My Turn to Speak.

Receiving

When receiving a transmission, the status LED will illuminate green and a prompt will display the transmitting user's name.

Front Keys

The front keys interact as below;

OK Short press for confirm

P1 ↵ Short press for return or Exit

P2 ▲ Short press for up selection

P3 ▼ Short press for down selection

≡ (menu) key to enter menu

🏠 (home) key to return to home screen

⏪ (back) key to return to previous menu or Exit

ADVANCED OPERATIONS

SOS Duress

Press and hold the SOS button for 3 seconds to trigger the SOS duress. Once the SOS duress has been triggered the microphone will open for hands free PTT transmission for 20 seconds.

When receiving an SOS duress short pressing the PTT button will acknowledge the SOS duress and stop the alert.

Missed Call

In the event a private call is made to the TA-1500 and the private call is not acknowledged with a PTT transmission for 20 seconds, a Missed Call Alert audible noise will prompt for the next 30 minutes.

While the Missed Call alert is active short pressing the PTT button will acknowledge the Missed Call and stop the alert.

The TooAir App

For navigating the TooAir application please refer to the TooAir App User Guide located under Guides and Tutorials on the TooAir website:

<https://www.tooair.com.au/Resources>

IMPORTANT NOTICE

READ ALL INSTRUCTIONS carefully and completely before operating your radio and retain this manual for future reference.

- NEVER connect the radio to a power source other than via supplied power cable and 12-24 volts DC.
- DO NOT place your radio in front of a vehicle airbag.
- DO NOT attempt to modify your radio in any way.
- ALWAYS mount the radio on the supplied bracket and more than 20cm from the user.
- ALWAYS switch off your radio where notices are displayed that restrict the use of two-way radio or mobile telephones.
- DO NOT hold radio / speaker to ear.

WARRANTY

This warranty against defects is given by Too Air Pty Ltd ABN 58 615 252 536

1. Consumer guarantees

1.1 Our goods come with guarantees that cannot be excluded under the Australian Consumer Law. You are entitled to a replacement or refund for a major failure and for compensation for any other reasonably foreseeable loss or damage. You are also entitled to have the goods repaired or replaced if the goods fail to be of acceptable quality and the failure does not amount to a major failure.

1.2 To the extent we are able, we exclude all other conditions, warranties and obligations which would otherwise be implied.

2. Warranty against defects

2.1 This warranty is in addition to and does not limit, exclude or restrict your rights under the Competition and Consumer Act 2010 (Australia) or any other mandatory protection laws that may apply.

2.2 We warrant our goods to be free from defects in materials and workmanship for the warranty period of 12 months from the date of original sale. Subject to our obligations under clause 1.2, we will at our option, either repair or replace goods which we are satisfied are defective. We warrant any replacement parts for the remainder of the period of warranty for the goods into which they are incorporated.

2.3 To the extent permitted by law, our sole liability for breach of a condition, warranty or other obligation implied by law is limited

- (a) in the case of goods we supply, to any one of the following as we decide –
 - (i) the replacement of the goods or the supply of equivalent goods;
 - (ii) the repair of the goods;
 - (iii) the cost of repairing the goods or of acquiring equivalent goods;
- (b) in the case of services we supply, to any one of the following as we decide –
 - (i) the supplying of the services again;
 - (ii) the cost of having the services supplied again.

2.4 For repairs outside the warranty period, we warrant our repairs to be free from defects in materials and workmanship for three months from the date of the original repair. We agree to re-repair or replace (at our option) any materials or workmanship which we are satisfied are defective.

2.5 We warrant that we will perform services with reasonable care and skill and agree to investigate any complaint regarding our services made in good faith. If we are satisfied that the complaint is justified, and as our sole liability to you under this warranty (to the extent permitted at law), we agree to supply those services again at no extra charge to you.

2.6 To make a warranty claim you must before the end of the applicable warranty period, return the goods you allege are defective, provide written details of the defect, and give us an original or copy of the sales invoice or some other evidence showing details of the transaction.

2.7 Send your claim to:

Too Air Pty Ltd, Suite 1103, 1 Newland Street, Bondi Junction NSW 2022.

Tel: (02) 9157 0540

Email: info@toooair.com.au

3. This warranty does not cover

This warranty will not apply in relation to:

- (a) goods modified or altered in any way;
- (b) repairs performed other than by our authorised representative;
- (c) defects or damage resulting from misuse, accident, impact or neglect;
- (d) goods improperly installed or used in a manner contrary to the relevant instruction manual; or
- (e) goods where the serial number has been removed or made illegal
- (f) goods connected to an incorrect power source

4. Warranty period

The warranty on the TooAir TA-1500 Wide Area IP 2 Way Radio and Power Adapter is 12 Months. No repair or replacement during the warranty period will renew or extend the warranty period past the period from the original date of purchase.

ToooAir

ToooAir Pty. Ltd.

Address: Suite 1103, 1 Newland Street Bondi Junction, NSW 2022

Phone: +61 (02) 9157 0540

Website: www.toooair.com.au

Email: info@toooair.com.au

